

## ABT-HC-SSP-23FA

### Images



### Product Description

The Premier Stainless Steel Laboratory Freezers feature a microprocessor temperature controller, allowing for precise temperature control, recovery, and maintenance versus mechanical style thermostats.

Critical samples and supplies are security backed with an extensive package of temperature security and alarm features. Auto-Defrost design provides the convenience of a frost-free interior. However, chamber air temperatures do experience a moderate rise during defrost cycles.

**DISCLAIMER:** Auto defrost freezers incorporate an electric heater installed on the evaporator that assist in the removal of the frost and ice. Although the heater helps speed up the frost and ice removal, it can raise the temperatures within the freezer.

### Certifications



### General Description and Application

Storage capacity (cu. ft)	23 Cu. Ft.
Door	One stainless steel solid, swing door, right hinged
Shelves	Three adjustable shelves
Baskets	Non-applicable
Mounting and installation	Swivel Casters
External probe access	Probe access port (3/4")
Insulation	High density urethane foam cabinet insulation
Exterior materials	Stainless Steel
Access Control	Keyed door lock
General warranty	Two (2) years parts and labor warranty
Compressor Parts Warranty	Five (5) years compressor parts warranty
Product Weight (lbs)	297
Shipping Weight (lbs)	327
Rated Amperage	8 Amps
Power Plug/Power Cord	NEMA 5-15 Plug, conforms to UL471 requirements
Facility Electrical Requirement	115VAC/60Hz/1PH
Agency Listing and Certification	ETL Listed

### Refrigeration System

Refrigerant	Hydrocarbon natural refrigerant (R290)
Defrost	Auto Defrost

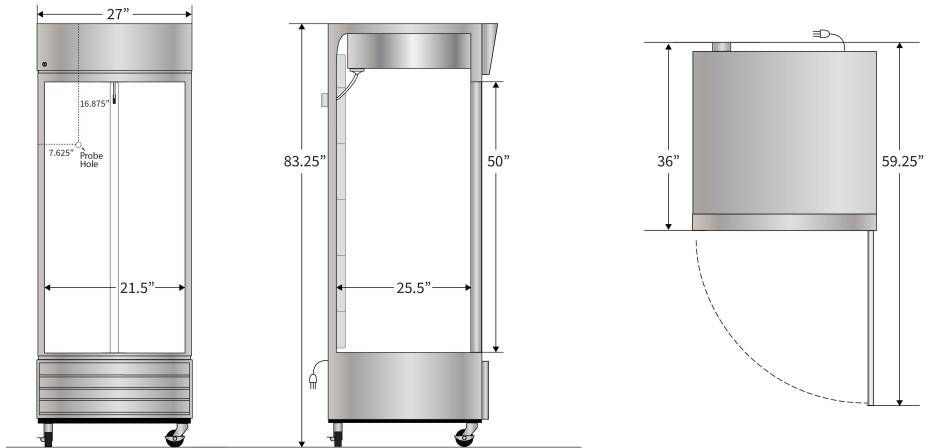
### Controller, Configuration, Alarms and Monitoring

Controller technology	Microprocessor temperature controller
Display technology	Digital temperature display
Adjustable Temperature Range	-15°C to -25°C
External alarm connection	Remote alarm contacts
Alarms	Audible and visual high and low temperature alarms, sensor error alarms

Warranty Disclaimer	Indoor use only, +18°C to +26°C (+65°F to +78°F), <70% RH. Specifications are subject to change. NOTE: Auto defrost freezers incorporate an electric heater installed on the evaporator that assist in the removal of the frost and ice. Although the heater helps speed up the frost and ice removal, it can raise the temperatures within the freezer.
---------------------	---

**Dimensions**

	Width (in.)	Depth (in.)	Height (in.)	Door Swing (in.)	Total open Depth (in.)
Exterior	27"	36"	83.25"	23.25"	59.25"
Interior	21.5"	25.5"	50"		



**Contact**

Customer Service  
Technical Service

800-648-4041 Option 3  
800-648-4041 Option 5, Parts Option 4

customerservice@horzonscientific.com  
technicalservice@horzonscientific.com