

ABT-HC-SSP-72G

Images



Product Description

The Premier Stainless Steel Laboratory Refrigerators feature a microprocessor temperature controller, allowing for precise temperature control, recovery, and maintenance versus mechanical style thermostats.

Critical samples and supplies are security backed with an extensive package of temperature security and alarm features.

Certifications



General Description and Application

Storage capacity (cu. ft.)	72 Cu. Ft.
Door	Three swing glass doors, self-closing, stainless steel, right and left hinged
Shelves	Twelve adjustable shelves
Baskets	Non-applicable
Mounting and installation	Swivel Casters
External probe access	Probe access port (3/4")
Insulation	High density urethane foam cabinet insulation
Exterior materials	Stainless Steel
Access Control	Keyed door lock
General warranty	Two (2) years parts and labor warranty
Compressor Parts Warranty	Five (5) years compressor parts warranty
Product Weight (lbs)	726
Shipping Weight (lbs)	786
Rated Amperage	7.5 Amps
Power Plug/Power Cord	NEMA 5-15 Plug, conforms to UL471 requirements
Facility Electrical Requirement	115VAC/60Hz/1PH
Agency Listing and Certification	ETL Listed

Refrigeration System

Refrigerant	Hydrocarbon natural refrigerant (R290)
Defrost	Cycle Defrost

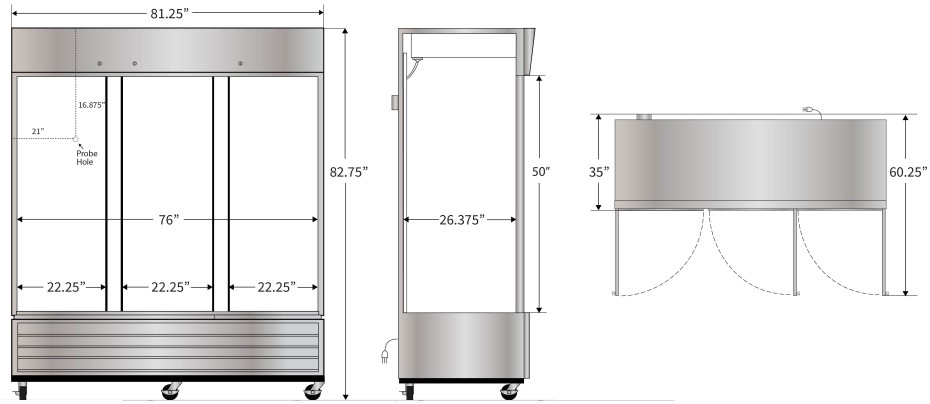
Controller, Configuration, Alarms and Monitoring

Controller technology	Microprocessor temperature controller
Display technology	Digital temperature display
Adjustable Temperature Range	1°C to 10°C
External alarm connection	Remote alarm contacts
Alarms	Audible and visual high and low temperature alarms, sensor error alarms

Warranty Disclaimer	Indoor use only, +18°C to +26°C (+65°F to +78°F), <70% RH. Specifications are subject to change.
---------------------	---

Dimensions

	Width (in.)	Depth (in.)	Height (in.)	Door Swing (in.)	Total open Depth (in.)
Exterior	81.25"	35"	82.75"	25.25"	60.25"
Interior	76"	26.375"	50"		



Contact

Customer Service
Technical Service

800-648-4041 Option 3
800-648-4041 Option 5, Parts Option 4

customerservice@horizonscientific.com
technicalservice@horizonscientific.com