

ABT-HC-UCFS-0420W

Images



Product Description

The General Purpose Freestanding Undercounter Freezers are intended for general purpose applications only where precise temperature control and maintenance are not essential and there are no requirements for temperature alarms.

Freestanding models ("UCFS") require 4" of clearance around back and sides of the unit for proper ventilation. Improper installation will void the warranty and will lead to temperature maintenance issues, overheating and possible failure.

Environmentally friendly, natural hydrocarbon (HC) refrigerants (not containing hydrofluorocarbons) vastly reduce global-warming potential (GWP) while meeting new EPA/SNAP mandates and UL, ASHRAE compliance guidelines.

Certifications



General Description and Application

| | |
|----------------------------------|--|
| Storage capacity (cu. ft) | 4 Cu. Ft. Capacity |
| Door | 1 solid swing door, right hinged |
| Shelves | 2 fixed shelves |
| Freezer Compartments | 1 |
| Baskets | Non-applicable |
| Mounting | Leveling Legs |
| Interior lighting | Non-applicable |
| Airflow management | Non-applicable |
| External probe access | Non-applicable |
| Insulation | Cabinet is foamed-in-place with EPA compliant high density urethane foam |
| Exterior materials | White powder coated steel |
| Access Control | Keyed door lock |
| General warranty | One (1) year parts and labor warranty |
| Compressor Parts Warranty | Non-applicable |
| Product Weight (lbs) | 67 |
| Shipping Weight (lbs) | 94 |
| Rated Amperage | 0.9 Amps |
| Power Plug/Power Cord | NEMA 5-15 Plug, conforms to UL471 requirements |
| Facility Electrical Requirement | 110-120V AC, 15 A (minimum) |
| Agency Listing and Certification | UL/C-UL listed |

Refrigeration System

| | |
|-------------|------------------------------|
| Refrigerant | Hfc-free refrigerant (r600a) |
| Defrost | Manual Defrost |

Controller, Configuration, Alarms and Monitoring

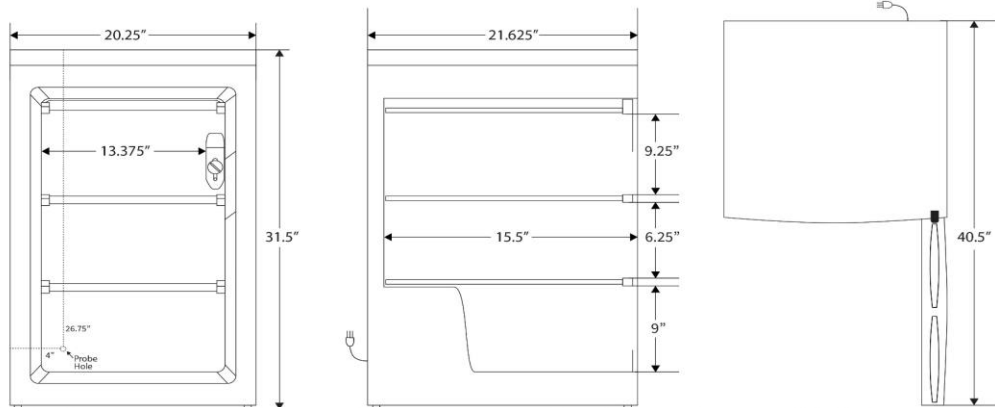
| | |
|------------------------------|-----------------------|
| Controller technology | Mechanical Thermostat |
| Display technology | Non-applicable |
| Adjustable Cycle Temperature | -20°C |
| External alarm connection | Non-applicable |
| Alarms | Non-applicable |

Disclaimers Indoor use only, +18C to +26C (+65F to +78F), <70% RH. Specifications are subject to change.

Freestanding models ("UCFS") require 4" of clearance around back and sides of the unit for proper ventilation.
 Improper installation will void the warranty and will lead to temperature maintenance issues, overheating and possible failure.
 Periodic defrosting of the unit is required.

Dimensions

| | Width (in.) | Depth (in.) | Height (in.) | Door Swing (in.) | Total open Depth (in.) |
|----------|-------------|-------------|--------------|------------------|------------------------|
| Exterior | 20.25" | 21.625" | 31.5" | 18.875" | 40.5" |
| Interior | 13.375" | 15.5" | 24.5" | | |



Contact

Customer Service
 Technical Service

800-648-4041 Option 3
 800-648-4041 Option 5, Parts Option 4

customerservice@horizonscientific.com
 technicalservice@horizonscientific.com