

PH-ABT-HC-RFC9-LH

Images



Product Description

The Premier Pharmacy Dual Temp Combination units feature separate microprocessor temperature controller allowing for precise temperature control, verification and recovery. An interior fan driven, forced-draft air circulation system provides excellent temperature uniformity and recovery after door openings. REFRIGERATORS ONLY

All models are equipped with digital temperature displays for convenient monitoring. Critical samples and supplies are security backed with an extensive package of audible and visual alarms. The freezer units feature either an automatic or manual defrost operating system. For manual defrost freezers, periodic manual defrosting is required.

This model is designed with a "front-breathing" ventilation system, eliminating the need for clearance around the top and sides of the unit, enabling the user to incorporate these units into cabinets and other applications where free space is limited.

Environmentally friendly, natural hydrocarbon (HC) refrigerants (not containing hydrofluorocarbons) vastly reduce global-warming potential (GWP) while meeting new EPA/SNAP mandates and UL, ASHRAE compliance guidelines.

Certifications



General Description and Application

Storage capacity (cu. ft)	9 Cu. Ft. capacity (4.6 Ref./4.2 Freezer)
Door	2 exterior solid swing doors, left hinged
Shelves	2 adjustable/1 fixed shelves refrigerator/2 fixed shelves freezer
Freezer Compartments	1
Baskets	Non-applicable
Mounting	Leveling Legs and stacking kit
Interior lighting	Non-applicable
Airflow management	Forced draft air circulation, refrigerator
External probe access	Two probe access ports (3/4")
Insulation	High density urethane foam cabinet insulation
Exterior materials	Steel
Access Control	Keyed door lock
General warranty	Two (2) year parts and labor warranty
Compressor Parts Warranty	Five (5) year compressor parts warranty
Product Weight (lbs)	200
Shipping Weight (lbs)	269
Rated Amperage	1.74 Amps Refrigerator and 1.5 Amps Freezer
Power Plug/Power Cord	NEMA 5-15 Plug, conforms to UL471 requirements . Vaccine storage power cord warning label
Facility Electrical Requirement	110-120V AC: 15 A (minimum)
Agency Listing and Certification	UL-C-UL Listed

Refrigeration System

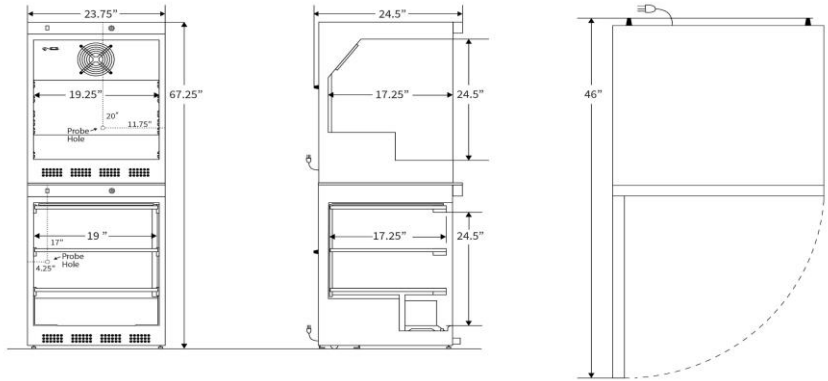
Refrigerant	HFC-free refrigerant (R600a)
Defrost	Manual defrost freezer / Cycle defrost freezer

Controller, Configuration, Alarms and Monitoring

Controller technology	Microprocess temperature controller
Display technology	Digital temperature display
Adjustable Temperature Range	Refrigerator: 36°F – 46°F (2°C -8°C); Freezer: 5°F – -13°F (-15°C - -25°C)
External alarm connection	Remote alarm contacts
Alarms	Audible and visual high and low temperature alarms
Other	Pyxis®, Omnicell® and AcuDose RX® compatible
Warranty Disclaimer	Indoor use only, +18C to +26C (+65F to +78F), <70% RH. Specifications are subject to change. Requires 2 outlets. Periodic defrosting of freezer is required. This model requires 4" of clearance around back and sides of the unit for proper ventilation. Improper installation will void the warranty and will lead to temperature maintenance issues, overheating and possible failure.

Dimensions

	Width (in.)	Depth (in.)	Height (in.)	Door Swing (in.)	Total open Depth (in.)
Exterior	23.75"	24.5"	66.75"	23.5"	46"
Interior	19.25" upper / 19" lower	17.25" upper / 17.25" lower	24.5" upper / 24.5" lower		



Contact

Customer Service
Technical Service

800-648-4041 Option 3
800-648-4041 Option 5, Parts Option 4

customerservice@horizontscientific.com
technicalservice@horizontscientific.com