

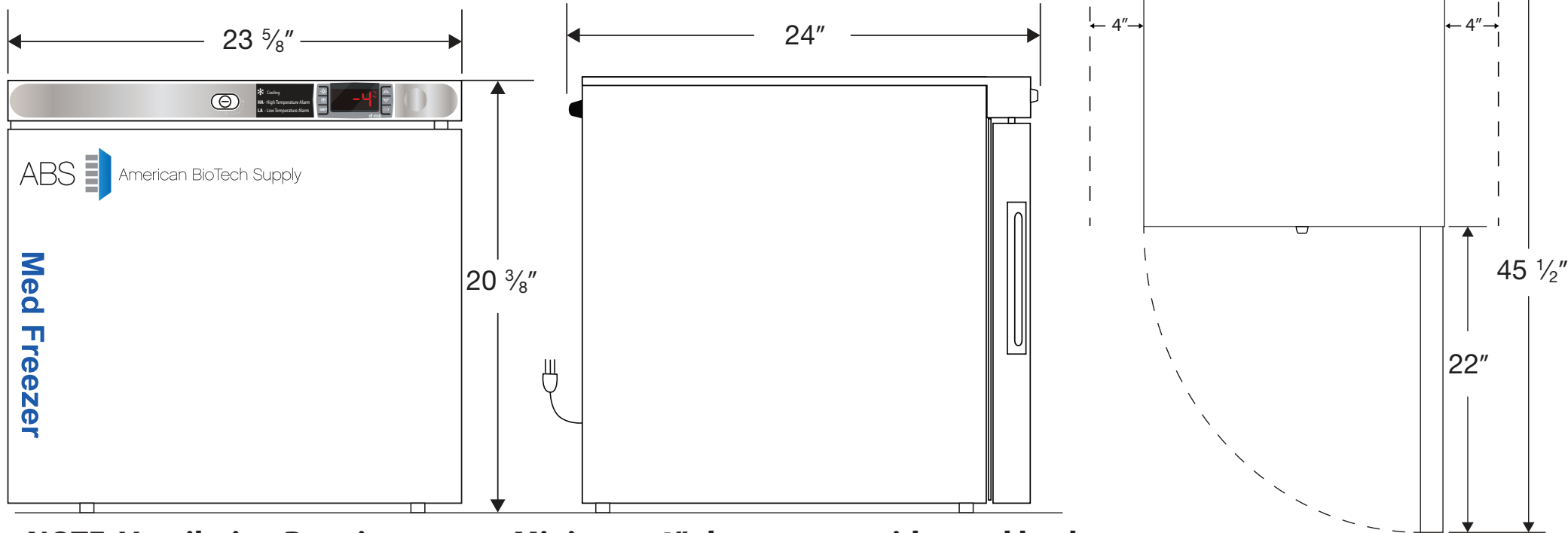
Product Name:	PH-ABT-HC-UCFS-0120
Description:	<p>Premier Pharmacy/Vaccine Countertop Laboratory Freezer Freestanding 1.7 Cu. Ft. Capacity One solid swing door, right hinged* Microprocessor temperature controller Digital temperature display Audible and visual high and low temperature alarms Remote alarm contacts 2 probes; 1 in air and 1 in glycol bottle Adjustable operating temperature range: 5°F – -13°F (-15°C – -25°C) Temperature monitor device (TMD) complies with the current CDC guidelines, with 3 years certification of calibration, “buffered” probe in the product simulated solution, min/max memory, F/C switchable, field installable, and visual & audible temp alarm 2 adjustable shelves with guard rail to prevent product from being pushed against back wall Bottom footed shelf to allow air circulation Vaccine storage power cord warning label Keyed door lock Magnetic door gasket for positive seal Leveling legs Integrated door handle Probe access port (3/8") Powder coat exterior High density urethane foam cabinet and door insulation HFC-free refrigerant (R600a), foam insulation and packaging Pharmacy refrigerator/freezer toolkit and temperature logs Two year parts and labor warranty, plus an additional three year compressor parts only warranty Pyxis®, Omnicell® and AcuDose RX® compatible Exterior dimensions: 23 5/8 "W x 24" D x 20 3/8"H <i>Note: This unit must have 4" clearance on sides and back for adequate ventilation</i> Manual defrost 115V, 60 Hz, 1 Amp, 1/8 HP UL/C-UL listed ENERGY STAR CERTIFIED Shipping weight: 106 lbs. *This product is available left hinged, product number PH-ABT-HC-UCFS-0120-LH</p>

CUTSHEET


Front View

Side View

Top View



NOTE: Ventilation Requirements – Minimum 4" clearance on sides and back

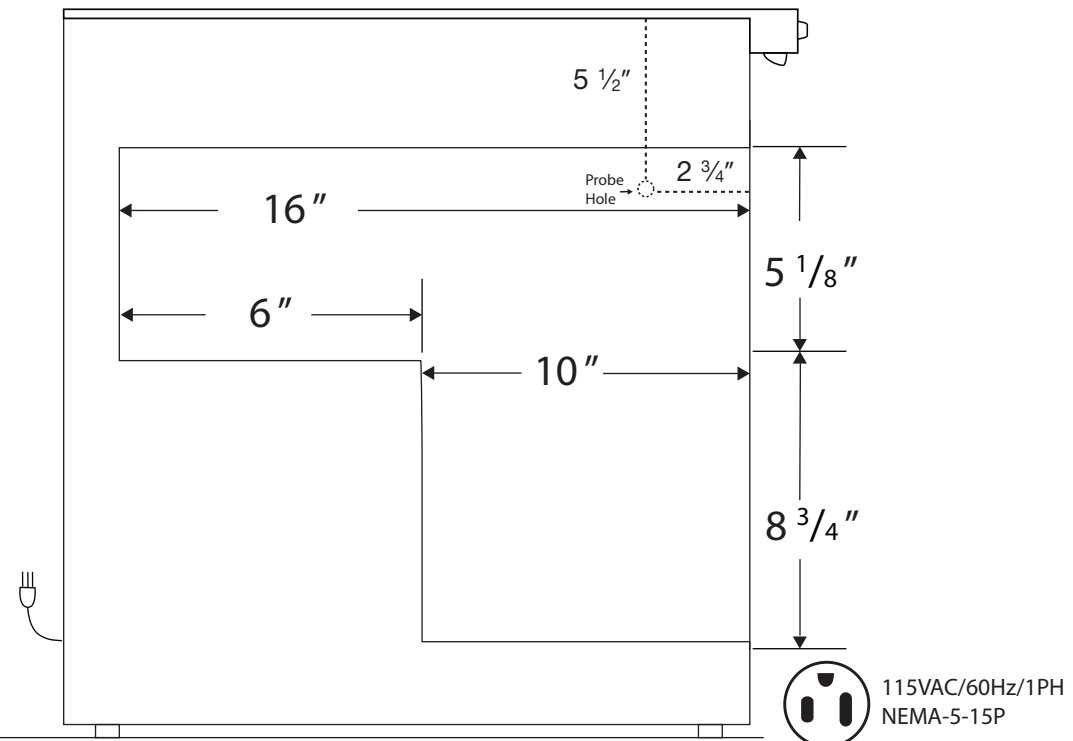
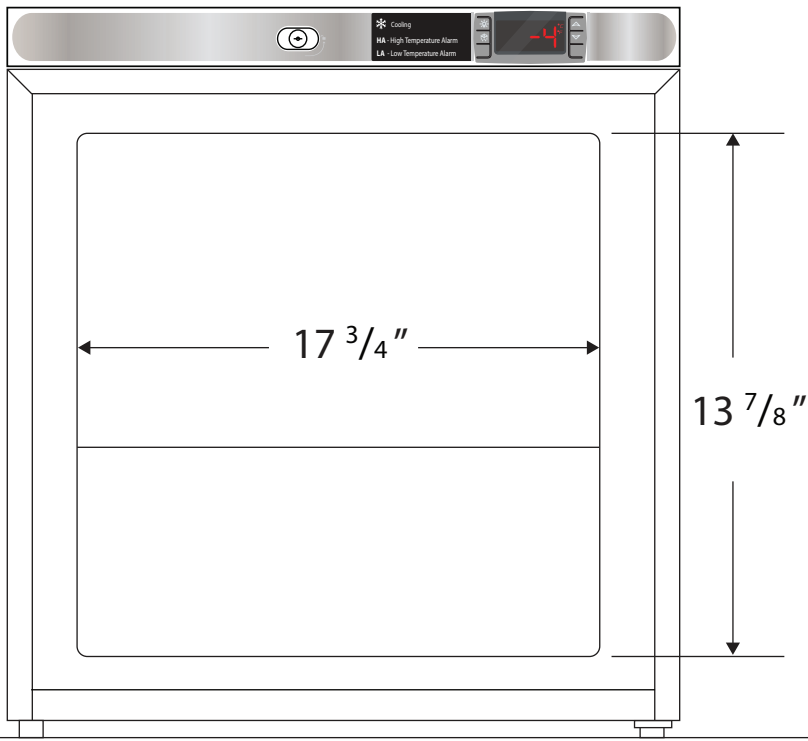
 115VAC/60Hz/1PH
NEMA-5-15P

Cu. Ft	Defrost	Door	Int Door	Shelves	W"	D"	H"	Refrigerant	H.P.	Amps	Weight
1.7	Manual	1 Solid	0	2 Adj +Footed Bottom	$23 \frac{5}{8}$	24	$20 \frac{3}{8}$	R600a	$\frac{1}{8}$	1	80 lbs.

CUTSHEET

Front View

Side View



115VAC/60Hz/1PH
NEMA-5-15P

Cu. Ft	Defrost	Door	Int Door	Shelves	Interior Dim.			Refrigerant	H.P.	Amps	Weight
					W"	D"	H"				
1.7	Manual	1 Solid	0	2 Adj +Footed Bottom	17 3/4	16	13 7/8	R600a	1/8	1	80 lbs.

Note: Interior dimensions are estimates and subject to change without notice