

RESOLUTE

ICE SYSTEMS



ICE DISPENSING BIN

- Efficient, no-touch ice dispensing
- Convenient & hygienic
- Stainless steel construction
- Adjustable feet (+ 20mm, 0.8")

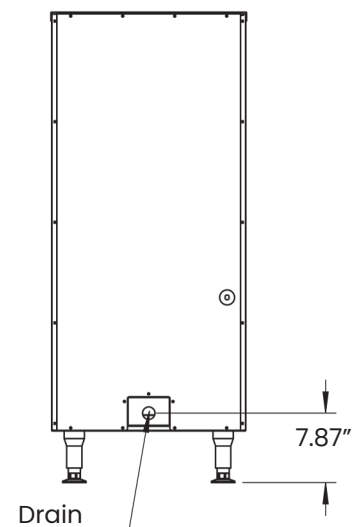
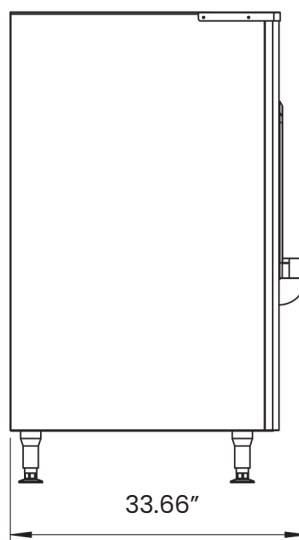
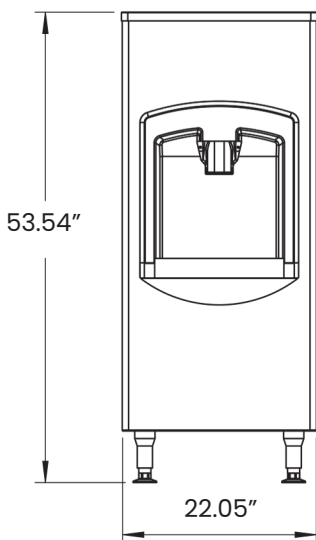
MODEL:	IDB130
POWER	110V, 210W, 2A, 5-15P
STORAGE CAPACITY	130 lbs
COMPATIBLE WITH	ICH350
DIMENSIONS	22" L x 33.7" W x 53.3" H
NET WEIGHT	170 lbs
SHIP DIMENSIONS	24" L x 35.8" W x 55.5" H
SHIP WEIGHT	183 lbs



* Includes ice dispensing bin only. Ice machine sold separately.



WARRANTY:
ONE YEAR PARTS & LABOR



V1.06.2023