



Phone (800) 981-1540 | Fax (715) 254-0996  
 sales@kimobility.com | www.kimobility.com



Company:

Ship To:

Account Number:

Date:

Address:

Quote: PO Number:

City:

State:

ATP:

Zip:

Phone:

Marked For:

Email/Fax:

Associated Quote/Order#:

Effective: 1/5/2026

Little Wave XP (K0005, E1235)	\$3534
<i>Little Wave Width Growable Frame 165 lb weight capacity Maximum Seat Width of 19"</i>	

## Frame

Seat Width	
10"	N/C
11"	N/C
12"	N/C
13"	N/C
14"	N/C
15"	N/C
16"	N/C

Seat Depth	
10"	N/C
11"	N/C
12"	N/C
13"	N/C
14"	N/C
15"	N/C
16"	N/C

Sling Position	
<i>In Performance Position (0"), sling is at front of frame. The 1" or 2" sling position extends the frame in front of the sling by that amount. See reference C on page 7.</i>	
0" (Performance)	N/C
1"	N/C
2" (Classic)	N/C

Transit Option	
Transit System (E1022)	\$251
<i>125 lb maximum weight capacity</i>	
Omit	N/C

Adjustable Depth	
<i>Adds the capability to grow seat in depth</i>	
No Rear Adjustment	N/C
1/2"	N/C
1"	N/C
2"	N/C
3"	N/C

Long Sling	
<i>Available only with 1", 2" and 3" Adjustable Depth</i>	
Long Sling	N/C
<i>Sling will be maximum 2" longer than seat depth</i>	

Seat Option	
Standard Seat Sling	N/C
Aluminum Solid Seat Pan (E2231)	\$277
<i>Seat Pan is 1" longer when Long Sling option is selected</i>	

Front Frame Bend	
<i>Angle between front seat tube and ground. See reference D on page 7.</i>	
90°	N/C
85°	N/C
80°	N/C
75°	N/C
70°	N/C



Phone (800) 981-1540 | Fax (715) 254-0996  
 sales@kimobility.com | www.kimobility.com



## Backrest

Back Post / Height Range / Back Height							
Back	Price	Height	Back Height				
Height Adjustable	N/C	Short	11" <sup>2</sup>	12"	13"	14"	
		Medium	13"	14"	15"	16"	17"
		Tall	17"	18"			
Fixed Height <sup>1</sup>	\$68	Fixed Straight	9" <sup>2</sup>	10" <sup>2</sup>	11" <sup>2</sup>	12" <sup>2</sup>	13"
			14"	15"	16"	17"	18"
Offset <sup>1</sup>	N/C	Offset	11" <sup>2</sup>	12" <sup>2</sup>	13" <sup>2</sup>	14" <sup>2</sup>	15"
			16"	17"			

<sup>1</sup> Fixed Height. Adjustable Height Rigidizer Bar Included.

<sup>2</sup> Not available with Fold Down Push Handle

### Offset Back Post Option

*Selection required with Offset Back Posts. Not available with Height Adjustable or Fixed Height Back Posts. Each back post is offset 1" creating 2" overall offset.*

2" Inward Offset	N/C
2" Outward Offset	N/C
<i>Not available with Swing Away Armrests</i>	

### Push Handle

Omit Push Handle	N/C
Standard Push Handle	N/C
<i>Not available on Offset Back Posts with 11" - 14" Back Heights</i>	
Bolt-On Push Handle	\$219
<i>Handles will be 1" - 2" above back height</i>	
Fold Down Push Handle	\$125

### Stroller Handles

*Stroller Handles are removable and height adjustable*

Ergo Stroller Handle	\$194
Single Stroller Handle	\$172
Double Stroller Handle	\$345
<i>Not available with Push Handles or 8-11" Seat Width</i>	

### Back Upholstery

*Available only with Height Adjustable Back Posts. If selecting both upholstery and Axiom Back, the upholstery will be installed.*

Padded Velcro Adjustable with Standard Cover	N/C
Padded Velcro Adjustable with Air Mesh Breathable Cover	\$81
<i>Not available on chair widths less than 12"</i>	
Tension Adjustable with Standard Cover (E2611)	\$366
Tension Adjustable with Air Mesh Breathable Cover (E2611)	\$416
<i>Not available on chair widths less than 12"</i>	
Omit	(\$10)

### Rigidizer Bar

Adjustable Height Rigidizer Bar	\$15
<i>Included with Offset Back Posts</i>	
Non Adjustable Height Rigidizer Bar	N/C

### Seat Back Angle

*Standard is 90° (perpendicular to floor). Minus (-°) closes back angle. Plus (+°) opens back angle.*

Standard	+3°	+6°	+9°	-3°	-6°	
	-9°	-12°				N/C

## Front Seat Height and Casters

### Caster Size / Footrest Taper / Front Seat Height

*Select Front Seat Height and Footrest Taper in row corresponding to desired Caster Size. 6" Casters not available with Seat Depths less than 13". Footrest Taper indicates bend of front frame creating footrest width. Taper is measured from outside of seat frame to outside of front tube. Taper is not available with 70° Front Frame Bend. See reference E on page 7. Front Seat Height is measured from floor to top of seat tube at front of seat sling. Adjustable up or down by 1/2". See reference F on page 7.*

Footrest Taper	Caster Size	Front Seat Height														
		11.5"	12"	12.5"	13"	13.5"	14"	14.5"	15"	15.5"	16"	16.5"	17"	17.5"	18"	18.5"
No Taper (Straight)	3"	11.5"	12"	12.5"	13"	13.5"	14"	14.5"	15"	15.5"	16"	16.5"	17"	17.5"	18"	18.5"
	4"	12.5"	13"	13.5"	14"	14.5"	15"	15.5"	16"	16.5"	17"	17.5"	18"	18.5"	19"	19.5"
	5"	13.5"	14"	14.5"	15"	15.5"	16"	16.5"	17"	17.5"	18"	18.5"	19"	19.5"	20"	20.5"
	6"	14"	14.5"	15"	15.5"	16"	16.5"	17"	17.5"	18"	18.5"	19"	19.5"	20"	20.5"	
1"	3"	14.5"	15"	15.5"	16"	16.5"	17"	17.5"	18"	18.5"	19"	19.5"	20"	20.5"		
	4"	15.5"	16"	16.5"	17"	17.5"	18"	18.5"	19"	19.5"	20"	20.5"				
	5"	16.5"	17"	17.5"	18"	18.5"	19"	19.5"	20"	20.5"						
	6"	17"	17.5"	18"	18.5"	19"	19.5"	20"	20.5"							



Phone (800) 981-1540 | Fax (715) 254-0996  
 sales@kimobility.com | www.kimobility.com



### Casters

		Caster Size				
		Price	3"	4"	5"	6"
Caster Type	.75" Rollerblade	N/C				
	.75" Lighted Rollerblade	\$79				
	1.25" Soft Roll	N/C				
	1" Poly Aluminum	\$131				
	1" Pneumatic	\$89				
	1.5" Soft Roll	\$68				
	1.5" Soft Roll Aluminum	\$214				

### Fork Options

Standard Fork	N/C
Single Sided Fork	\$182
<i>Not available with 6" Casters</i>	
Frog Legs II Suspension System	\$508

## Footrest

### Footplates

Tubular "Open" Footplate	N/C
<i>Not available with footrest widths less than 9.5". See Reference G on page 7.</i>	
Tubular Footplate with ABS Cover	\$37
<i>Not available with footrest widths less than 9.5". See Reference G on page 7.</i>	
Aluminum Angle Adjustable (K0040)	\$99
Aluminum Angle Adjustable with Riser (K0040)	\$194
High Mount Aluminum Angle Adjustable (K0040, K0037)	\$167
Angle Adjustable Flip Under (K0040, K0037)	\$214
<i>Not available with footrest widths less than 9.5". See Reference G on page 7.</i>	
High Mount Angle Adjustable Flip Under (K0040, K0037)	\$324

### Seat to Footrest Length

*See reference H on p. 7 should be at least 2.5" shorter than FSH*

5.5"	6"	6.5"	7"	7.5"	8"
8.5"	9"	9.5"	10"	10.5"	11"
11.5"	12"	12.5"	13"	13.5"	14"
14.5"	15"	15.5"	16"	16.5"	17"

## Rear Seat Height and Wheels

### Wheel Size / Rear Seat Height

Select Rear Seat Height in row corresponding to desired Wheel Size. For proper setup, selection is required when omitting rear wheels. Measured from floor to top of seat tube at front of back post. Rear Seat Height is custom to needs. See reference I on page 7.

Wheel Size	Rear Seat Height															
18"	11.5" <sup>1</sup>	12"	12.5"	13"	13.5"	14"	14.5"	15"	15.5"	16"	16.5"	17"	17.5"	18"	18.5"	19"
20"	12.5" <sup>1</sup>	13"	13.5"	14"	14.5"	15"	15.5"	16"	16.5"	17"	17.5"	18"	18.5"	19"	19.5"	20"
22"	13.5" <sup>1</sup>	14"	14.5"	15"	15.5"	16"	16.5"	17"	17.5"	18"	18.5"	19"	19.5"	20"		
24"	14.5" <sup>1</sup>	15"	15.5"	16"	16.5"	17"	17.5"	18"	18.5"	19"	19.5"	20"				

<sup>1</sup> Available only with Low Profile tires

### Wheels

		Rear Wheel Size				
		Price	18"	20"	22"	24"
Rear Wheel	MAXX Spoke	N/C				
	Mag	\$57				
	Spinergy Spox	\$1014				

### Spinergy Options

Select spoke color for Spinergy wheels

Black Spokes    Red Spokes    Blue Spokes    White Spokes \_\_\_\_\_ N/C

### Handrims

#### Standard Handrims

Aluminum Anodized	N/C
Plastic Coated	\$130
Projection (8 Vertical Projections)	\$374
<i>Available only with full profile tires in combination with 22", 24" MAXX Spoke wheels, or 22" and 24" Mag wheels</i>	
Omit Handrim	N/C

#### Ergonomic Handrims

*Not available with 20" or 26" wheels*

Lite Regular Grip	\$487
Standard Regular Grip	\$465
Lite Extra Grip	\$539
Standard Extra Grip	\$517
Lite Omit Grip	\$413
Standard Omit Grip	\$361



Phone (800) 981-1540 | Fax (715) 254-0996  
 sales@kimobility.com | www.kimobility.com



### Rear Tire Type

Full Poly 1 3/8" (E2218)	\$79
Low Poly 1" (E2218)	\$81
Pneumatic with Airless Insert 1 3/8" (E2211, E2213)	\$101
Street Pneumatic 1 3/8" (E2211, E2212)	N/C
High Pressure 1" (E2211, E2212)	\$102
<i>Not available on Mag wheel or 18" wheel size</i>	
Schwalbe Marathon Plus Evolution 1" (E2211, E2212)	\$167
<i>Available only on 24" MAXX Spoke or Spinerge wheels</i>	

### Rear Wheel Spacing

*Measured from outside of back to inside of rear tire. Adjustable out 1/2" from setting. 1.5" minimum Rear Wheel Spacing with Height Adjustable T-Arm Armrest, 1.25" minimum with Height Adjustable Pediatric Desk Armrest, 1" minimum with 0° Rear Wheel Camber. See reference K on page 7. No selection needed with Wheelchair Drive Ready option.*

0.75"	1"	1.25"	1.5"	1.75"	N/C
-------	----	-------	------	-------	-----

### Rear Wheel Camber

0°	2°	4°	6°	8°	N/C
----	----	----	----	----	-----

### Wheelchair Drive Ready

*Chair will ship from Ki Mobility with adaption kit installed for selected Alber system. Order system separately from Alber USA. Requires Rear Anti-Tips. Not available with 5th Wheel or Spinerge wheels.*

e-motion Ready	N/C
0 Degree Camber	N/C
3 Degree Camber	N/C

## Wheel Locks

### Wheel Lock

Push to Lock	N/C
Pull to Lock	N/C
Low Profile Scissor Lock	\$68
Drum Brake (E2228)	\$585
<i>Available only with 20", 22" and 24" MAXX Spoke wheels. Not available with Fold Down Push Handles or Ergo and Single Stroller Handles without integrated push handles. Axle is Quick Release.</i>	
Dual - Drum Brake with Push to Lock (E2228)	\$691
<i>Available only with 20", 22" and 24" MAXX Spoke wheels. Not available with Fold Down Push Handles or Ergo and Single Stroller Handles without integrated push handles. Axle is Quick Release.</i>	
Dual - Drum Brake with Pull to Lock (E2228)	\$691
<i>Available only with 20", 22" and 24" MAXX Spoke wheels. Not available with Fold Down Push Handles or Ergo and Single Stroller Handles without integrated push handles. Axle is Quick Release.</i>	
Omit	N/C

### Handrim Options

#### Handrim Mount

*If no selection is made, Standard Mount will be used. Reduces overall width by .75.*

Close Mount	N/C
3M Micro Grip	\$68
<i>Not available on Plastic Coated or Projection Handrims</i>	

### Center of Gravity presets

*Measured from front of back post to center of rear axle. 0" indicates axle will be directly under back post. See reference J on page 7.*

Amputee Positions			
-1.5"	-1.25"	-1"	-.75"
-.5"	-.25"	0"	.25"
Standard Positions			
.5"	.75"	1"	1.25"
1.5"	1.75"	2"	2.25"
2.5"	2.75"	3"	3.25"
3.5"	3.75"	4"	4.25"

### Axles

*No selection needed with Drum Brake*

Quick Release	N/C
Quad Quick Release	\$198
<i>Not available with Mag or Spinerge wheels</i>	

### Wheel Lock Options

Extension Handles (E0961)	\$86
<i>Available only with Push to Lock or Pull to Lock Wheel Locks</i>	
Grade Aids (E0974)	\$157
<i>Available only with Push to Lock Wheel Locks and Pneumatic or Pneumatic w/ Airless Insert tires</i>	



Phone (800) 981-1540 | Fax (715) 254-0996  
 sales@kimobility.com | www.kimobility.com



## Armrests

Armrest Type	Length	Price
Height Adjustable T-Arm Tall (11.5"-15") E0973 <sup>1,3</sup>	Desk	\$324
	Full	
Height Adjustable T-Arm (8.5"-13.5") E0973 <sup>1,3</sup>	Desk	\$332
	Full	
Height Adjustable T-Arm Low (6.5"-10.5") E0973 <sup>2,3,4</sup>	Desk	\$324
	Full	

- 1 Not available with Seat Depths less than 13"
- 2 Not available with Seat Depths less than 12"
- 3 1.5" minimum Rear Wheel Spacing
- 4 If requested configuration is unavailable, Standard Height T-Arm will be used
- 5 Requires Fixed Height Backrest and Adjustable Height Rigidizer Bar
- 6 Not available with back heights less than 12"
- 7 Best fit with Seat Depths less than 14"
- 8 1.25" minimum Rear Wheel Spacing
- 9 Not available with Arm Pads
- 10 Not available with Back Heights less than 13"
- 11 Not available with Offset
- 12 Not available with Transit System AND more than 2" Adjustable Depth

Armrest Type	Price
Height Adjustable Pediatric Desk (6.5" - 10") E0973 <sup>7,8</sup>	\$236
Tubular Flip Up <sup>5,9,10,11</sup>	\$52
Swing Away (8.5"-12.5") E0973 <sup>9,11,12</sup>	\$249
Omit Armrests	N/C

### Arm Pads

Full Arm Pads not available with Height Adjustable Pediatric Desk Armrests

Standard Arm Pad	N/C
Waterfall Arm Pad	\$27
<i>Not available with Angle Adjustable Locking Extendable Flip Up Armrests</i>	
Foam Grip	N/C
<i>Available only with Angle Adjustable Locking Extendable Flip Up Armrest</i>	

## Side Guards

Not available with T-Arms or Height Adjustable Pediatric Desk Armrests

### Direct Mount Side Guards

Composite Side Guards - Adult - Direct Mount Receiver (K0108)	\$150
<i>12" minimum Seat Depth</i>	
Composite Side Guards - Pediatric - Direct Mount Receiver (K0108)	\$162

### Clamp-On Mount Side Guards

Aluminum Adjustable Fender w/Foam Pad - Clamp-On Receiver - Black Matte (K0108)	\$319
Aluminum Adjustable Fender w/Foam Pad - Clamp-On Receiver - Match Frame Color (K0108)	\$371

## Accessories

### 5th Wheel

Rotating removable rear caster. See reference L on page 7.

Standard 5th Wheel (E0971)	\$261
Dynamic 5th Wheel (K0108)	\$308
Soft Elastomer	N/C
<i>Both elastomers are included; the selected elastomer will be installed</i>	
Firm Elastomer	N/C
<i>Both elastomers are included; the selected elastomer will be installed</i>	

### Anti-Tip

Rear Anti-Tips (E0971)	\$175
Omit	N/C

### Calf Strap

Velcro Adjustable (K0038)	\$44
Padded Velcro Adjustable (K0038)	\$71
Padded Airmesh Calf Strap (K0038)	\$123



Phone (800) 981-1540 | Fax (715) 254-0996  
 sales@kimobility.com | www.kimobility.com



### Pelvic Positioning Belt

1" Auto Buckle Pelvic Positioning Belt (E0978)	\$90
1" Padded Auto Buckle Pelvic Positioning Belt (E0978)	\$183
1 1/2" Auto Buckle Pelvic Positioning Belt (E0978)	\$91
1 1/2" Padded Auto Buckle Pelvic Positioning Belt (E0978)	\$183
Small Flex-Mount Positioning Belt (16-24") (E0978)	\$208
Medium Flex-Mount Positioning Belt (19-29") (E0978)	\$208
Large Flex-Mount Positioning Belt (25-37") (E0978)	\$208

### Belt Mounting Kit

Ki Mobility Belt Mounting Clamp	\$38
Belt Mounting Bracket	\$117

### Upper Extremity Support Tray

*3/8" Polycarbonate with ABS ribs. Hardware ordered separately. BC = Body Cut Out. Armrest assembly is required for tray mounting.*

Tray	Fits Chair	Retail
Tray, X-Small 21" x 18" (BC 10" x 7") (E0950)	8" - 12"	\$235
Tray, Small 22" x 20" (BC 13" x 8") (E0950)	10" - 14"	\$235
Tray, Medium 24" x 22" (BC 15" x 9") (E0950)	12" - 16"	\$235
Tray, Large 26" x 24" (BC 17" x 10") (E0950)	14" - 18"	\$235
Tray, X-Large 28" x 26" (BC 18" x 10") (E0950)	16" - 20"	\$255
Tray Hardware Assy, Knob Release - Pair		\$222

## Frame Color

#### Gloss Finish

*Touch-up paint is available for purchase through the parts manual*

Black	N/C
Ruby Red	N/C
Radiant Orange	N/C
Yellow	N/C
Electric Green	N/C
Rich Teal	N/C
Glacier Blue	N/C
Blue Steel	N/C
Deep Sapphire Blue	N/C
Purple Plum	N/C
Opalescent Violet	N/C
Dark Pink	N/C
Light Pink	N/C
Champagne	N/C

### Other Accessories

Tool Kit	\$63
Removable Underseat Pouch	\$64
Pediatric Ki Mobility Backpack	\$74
Ki Mobility Backpack	\$83
<i>Best fit on chairs more than 10" wide</i>	
Luggage Carrier	\$90
Black Neoprene Impact Guards	\$99
Clear Spoke Guards (K0065)	\$125
<i>Not available with Mag wheel</i>	
Black Spoke Guards (K0065)	\$128
<i>Not available with 18" or 20" wheel sizes or Mag wheel</i>	
Cane and Crutch Holder	\$214

#### Matte Finish

*Touch-up paint is available for purchase through the parts manual*

Shadow Black	N/C
Iridescent Navy	N/C
Bright Red	N/C
Tactical Green	N/C
Dry Earth Tan	N/C
Platinum	N/C
White	N/C

## References

### **A. Seat Width** See Diagram 1

Measured from outside of frame tube on one side to outside of frame tube on other side.

### **B. Seat Depth** See Diagram 3

Measured from front of back posts to front edge of seat sling. Seat sling starts at beginning of bend at front of frame.

### **C. Sling Position** See Diagram 2

In Performance Position (0°), sling is at front of frame to keep chair shorter and more maneuverable. The 1° or 2° seat sling position extends the frame in front of the sling by that amount. Adding more frame can improve stability and provide support to aid in transfers.

### **D. Front Frame Bend** See Diagram 3

Angle between front seat tube and ground.

### **E. Footrest Taper** See Diagram 1

Indicates bend of front frame creating footrest. Taper is measured from outside of seat frame to outside of front tube.

### **F. Front Seat Height** See Diagram 1

Measured from floor to top of seat tube at front of seat sling.

### **G. Footrest Width** See Diagram 1

Measured from inside of front tube to inside of front tube on other side. Footrest width is listed below for each seat width and taper.

Seat Width	Straight	1" Taper
Outside Measurement	2" Narrower than Seat Width	4" Narrower than Seat Width
10"	7.5"	
11"	8.5"	
12"	9.5"	7.5"
13"	10.5"	8.5"
14"	11.5"	9.5"
15"	12.5"	10.5"
16"	13.5"	11.5"

### **H. Seat to Footrest Length** See Diagram 3

Measured from front edge of seat sling to top rear of footrest. Footrest length of at least 2.5" shorter than front seat height recommended.

### **I. Rear Seat Height** See Diagram 3

Measured from floor to top of seat tube at front of back post. Rear seat height is custom to needs.

### **J. Center of Gravity Preset** See Diagram 3

Measured from front of back post to center of rear axle. 0" indicates axle will be directly under back post.

### **K. Rear Wheel Spacing** See Diagram 1

Measured from outside of seat back to inside of rear tire. Adjustable out .5" from setting.

### **L. 5th Wheel** See Diagram 4

Rotating removable 5th wheel allows for aggressive center of gravity positioning of the rear wheels.

Diagram 1

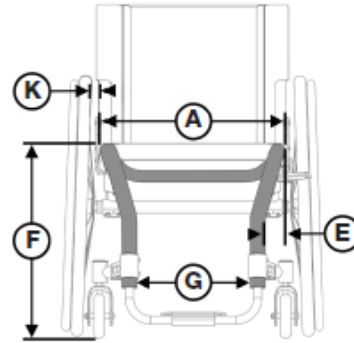


Diagram 2

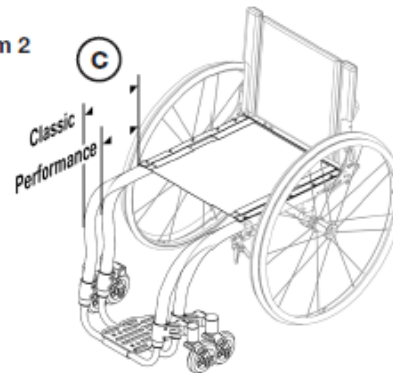


Diagram 3

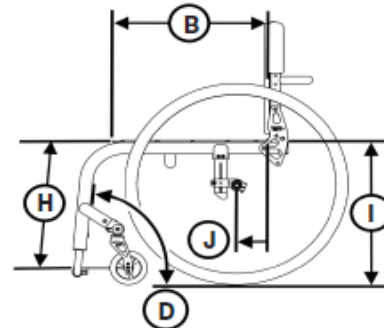


Diagram 4





Phone (800) 981-1540 | Fax (715) 254-0996  
 sales@kimobility.com | www.kimobility.com



## Axiom for Kids P - Positioning Cushion

*Weight Capacity 165 lbs / 75 kg. Cushion includes 2 outer covers of the selected color. Cover Color Code Black=BLK, Blue=BLU, Purple=PUR.*

Width	8"	9"	10"	11"	12"	13"	14"	15"	16"	
Retail	\$405									
HCPCS	E2605	E2605	E2605	E2605	E2605	E2605	E2605	E2605	E2605	
Depth	8"	PXP0808BLK	PXP0908BLK	PXP1008BLK						
		PXP0808BLU	PXP0908BLU	PXP1008BLU						
		PXP0808PUR	PXP0908PUR	PXP1008PUR						
	9"	PXP0809BLK	PXP0909BLK	PXP1009BLK	PXP1109BLK					
		PXP0809BLU	PXP0909BLU	PXP1009BLU	PXP1109BLU					
		PXP0809PUR	PXP0909PUR	PXP1009PUR	PXP1109PUR					
	10"	PXP0810BLK	PXP0910BLK	PXP1010BLK	PXP1110BLK	PXP1210BLK	PXP1310BLK			
		PXP0810BLU	PXP0910BLU	PXP1010BLU	PXP1110BLU	PXP1210BLU	PXP1310BLU			
		PXP0810PUR	PXP0910PUR	PXP1010PUR	PXP1110PUR	PXP1210PUR	PXP1310PUR			
	11"			PXP1011BLK	PXP1111BLK	PXP1211BLK	PXP1311BLK	PXP1411BLK		
				PXP1011BLU	PXP1111BLU	PXP1211BLU	PXP1311BLU	PXP1411BLU		
				PXP1011PUR	PXP1111PUR	PXP1211PUR	PXP1311PUR	PXP1411PUR		
	12"			PXP1012BLK	PXP1112BLK	PXP1212BLK	PXP1312BLK	PXP1412BLK		
				PXP1012BLU	PXP1112BLU	PXP1212BLU	PXP1312BLU	PXP1412BLU		
				PXP1012PUR	PXP1112PUR	PXP1212PUR	PXP1312PUR	PXP1412PUR		
	13"			PXP1013BLK	PXP1113BLK	PXP1213BLK	PXP1313BLK	PXP1413BLK	PXP1513BLK	
				PXP1013BLU	PXP1113BLU	PXP1213BLU	PXP1313BLU	PXP1413BLU	PXP1513BLU	
				PXP1013PUR	PXP1113PUR	PXP1213PUR	PXP1313PUR	PXP1413PUR	PXP1513PUR	
	14"			PXP1014BLK	PXP1114BLK	PXP1214BLK	PXP1314BLK	PXP1414BLK	PXP1514BLK	PXP1614BLK
				PXP1014BLU	PXP1114BLU	PXP1214BLU	PXP1314BLU	PXP1414BLU	PXP1514BLU	PXP1614BLU
				PXP1014PUR	PXP1114PUR	PXP1214PUR	PXP1314PUR	PXP1414PUR	PXP1514PUR	PXP1614PUR
	15"					PXP1215BLK	PXP1315BLK	PXP1415BLK	PXP1515BLK	PXP1615BLK
						PXP1215BLU	PXP1315BLU	PXP1415BLU	PXP1515BLU	PXP1615BLU
						PXP1215PUR	PXP1315PUR	PXP1415PUR	PXP1515PUR	PXP1615PUR
16"					PXP1216BLK	PXP1316BLK	PXP1416BLK	PXP1516BLK	PXP1616BLK	
					PXP1216BLU	PXP1316BLU	PXP1416BLU	PXP1516BLU	PXP1616BLU	
					PXP1216PUR	PXP1316PUR	PXP1416PUR	PXP1516PUR	PXP1616PUR	
17"						PXP1317BLK	PXP1417BLK	PXP1517BLK	PXP1617BLK	
						PXP1317BLU	PXP1417BLU	PXP1517BLU	PXP1617BLU	
						PXP1317PUR	PXP1417PUR	PXP1517PUR	PXP1617PUR	
18"						PXP1318BLK	PXP1418BLK	PXP1518BLK	PXP1618BLK	
						PXP1318BLU	PXP1418BLU	PXP1518BLU	PXP1618BLU	
						PXP1318PUR	PXP1418PUR	PXP1518PUR	PXP1618PUR	

HCPCS Codes provided are based on code verification by the PDAC or our interpretation of the code definitions.

Proper use of HCPCS Codes does not ensure coverage or payment. For coverage information, verify the appropriate payer's coverage policy.

**DCN1075.2 Pricing and specifications subject to change without notice.**



Phone (800) 981-1540 | Fax (715) 254-0996  
 sales@kimobility.com | www.kimobility.com



## Axiom for Kids SP - Skin Protection and Positioning Cushion

*Weight Capacity 165 lbs. / 75 kg. Cushion includes 2 outer covers of the selected color. Cover Color Code Black=BLK, Blue=BLU, Purple=PUR.*

Width	8"	9"	10"	11"	12"	13"	14"	15"	16"	
Retail	\$491									
HCPCS	E2607	E2607	E2607	E2607	E2607	E2607	E2607	E2607	E2607	
Depth	8"	PXSP0808BLK	PXSP0908BLK	PXSP1008BLK						
		PXSP0808BLU	PXSP0908BLU	PXSP1008BLU						
		PXSP0808PUR	PXSP0908PUR	PXSP1008PUR						
	9"	PXSP0809BLK	PXSP0909BLK	PXSP1009BLK	PXSP1109BLK					
		PXSP0809BLU	PXSP0909BLU	PXSP1009BLU	PXSP1109BLU					
		PXSP0809PUR	PXSP0909PUR	PXSP1009PUR	PXSP1109PUR					
	10"	PXSP0810BLK	PXSP0910BLK	PXSP1010BLK	PXSP1110BLK	PXSP1210BLK	PXSP1310BLK			
		PXSP0810BLU	PXSP0910BLU	PXSP1010BLU	PXSP1110BLU	PXSP1210BLU	PXSP1310BLU			
		PXSP0810PUR	PXSP0910PUR	PXSP1010PUR	PXSP1110PUR	PXSP1210PUR	PXSP1310PUR			
	11"			PXSP1011BLK	PXSP1111BLK	PXSP1211BLK	PXSP1311BLK	PXSP1411BLK		
				PXSP1011BLU	PXSP1111BLU	PXSP1211BLU	PXSP1311BLU	PXSP1411BLU		
				PXSP1011PUR	PXSP1111PUR	PXSP1211PUR	PXSP1311PUR	PXSP1411PUR		
	12"			PXSP1012BLK	PXSP1112BLK	PXSP1212BLK	PXSP1312BLK	PXSP1412BLK		
				PXSP1012BLU	PXSP1112BLU	PXSP1212BLU	PXSP1312BLU	PXSP1412BLU		
				PXSP1012PUR	PXSP1112PUR	PXSP1212PUR	PXSP1312PUR	PXSP1412PUR		
	13"			PXSP1013BLK	PXSP1113BLK	PXSP1213BLK	PXSP1313BLK	PXSP1413BLK	PXSP1513BLK	
				PXSP1013BLU	PXSP1113BLU	PXSP1213BLU	PXSP1313BLU	PXSP1413BLU	PXSP1513BLU	
				PXSP1013PUR	PXSP1113PUR	PXSP1213PUR	PXSP1313PUR	PXSP1413PUR	PXSP1513PUR	
	14"			PXSP1014BLK	PXSP1114BLK	PXSP1214BLK	PXSP1314BLK	PXSP1414BLK	PXSP1514BLK	PXSP1614BLK
				PXSP1014BLU	PXSP1114BLU	PXSP1214BLU	PXSP1314BLU	PXSP1414BLU	PXSP1514BLU	PXSP1614BLU
				PXSP1014PUR	PXSP1114PUR	PXSP1214PUR	PXSP1314PUR	PXSP1414PUR	PXSP1514PUR	PXSP1614PUR
	15"					PXSP1215BLK	PXSP1315BLK	PXSP1415BLK	PXSP1515BLK	PXSP1615BLK
						PXSP1215BLU	PXSP1315BLU	PXSP1415BLU	PXSP1515BLU	PXSP1615BLU
						PXSP1215PUR	PXSP1315PUR	PXSP1415PUR	PXSP1515PUR	PXSP1615PUR
16"					PXSP1216BLK	PXSP1316BLK	PXSP1416BLK	PXSP1516BLK	PXSP1616BLK	
					PXSP1216BLU	PXSP1316BLU	PXSP1416BLU	PXSP1516BLU	PXSP1616BLU	
					PXSP1216PUR	PXSP1316PUR	PXSP1416PUR	PXSP1516PUR	PXSP1616PUR	
17"						PXSP1317BLK	PXSP1417BLK	PXSP1517BLK	PXSP1617BLK	
						PXSP1317BLU	PXSP1417BLU	PXSP1517BLU	PXSP1617BLU	
						PXSP1317PUR	PXSP1417PUR	PXSP1517PUR	PXSP1617PUR	
18"						PXSP1318BLK	PXSP1418BLK	PXSP1518BLK	PXSP1618BLK	
						PXSP1318BLU	PXSP1418BLU	PXSP1518BLU	PXSP1618BLU	
						PXSP1318PUR	PXSP1418PUR	PXSP1518PUR	PXSP1618PUR	

### Accessories

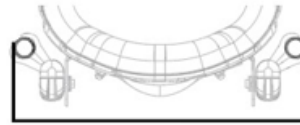
#### Extra Cover

Extra Cover Black	\$120
Extra Cover Blue	\$120
Extra Cover Purple	\$120

#### Solid Seat Insert

Solid Seat Insert (E0992)	\$73
---------------------------	------

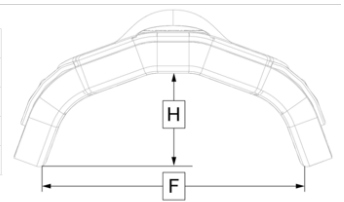
Axiom for Kids Back Width (all models)	Fits back Frame Widths
10" (25.5 cm)	9" - 11" (23 cm - 28 cm)
12" (30.5 cm)	11" - 13" (28 cm - 33 cm)
14" (35.5 cm)	13" - 15" (33 cm - 38 cm)
16" (40.5 cm)	15" - 17" (38 cm - 43 cm)



## Axiom for Kids PL - Posterior Lateral Back

Not available on Ki Mobility Wheelchairs with 2" Inward Offset or 2" Outward Offset back posts. Not available on Ki Mobility Wheelchairs with Tubular Flip-Up Armrests. May have mounting conflicts with low back cane heights and Angle Adjustable Locking Extendable Flip-Up Armrests with Rigidizer Bar.

<b>Back Width</b>	10" (25.5 cm)	12" (30.5 cm)	14" (35.5 cm)	16" (40.5 cm)
<b>Fits Back Frame Widths:</b>	9"-11" (23 cm - 28 cm)	11"-13" (28 cm - 33 cm)	13"-15" (33 cm - 38 cm)	15"-17" (38 cm - 43 cm)
<b>Actual Back Width (F):</b>	10" (25.5 cm)	12" (30.5 cm)	14" (35.5 cm)	16" (40.5 cm)
<b>Fits Trunk Widths (F):</b>	10" (25.5 cm)	12" (30.5 cm)	14" (35.5 cm)	16" (40.5 cm)
<b>Contour Depth (H):</b>	3" (7.5 cm)	3" (7.5 cm)	3" (7.5 cm)	3" (7.5 cm)



### Back

Includes Lumbar Pad. Weight capacity 165 lbs. (75 kg). Includes Axiom DEX for Kids Hardware.

		Wheelchair Frame Width			
		10	12	14	16
Retail		\$755			
HCPCS		E2615	E2615	E2615	E2615
Axiom Back Height	10	PXPL1010			
	12	PXPL1012	PXPL1212	PXPL1412	
	14	PXPL1014	PXPL1214	PXPL1414	PXPL1614
	16		PXPL1216	PXPL1416	PXPL1616
	18				PXPL1618

HCPCS Codes provided are based on code verification by the PDAC or our interpretation of the code definitions.

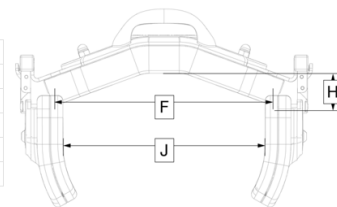
Proper use of HCPCS Codes does not ensure coverage or payment. For coverage information, verify the appropriate payer's coverage policy.

DCN1076.5 Pricing and specifications subject to change without notice.

## Axiom for Kids AL - Posterior Back for Adjustable Laterals

*Not available on Ki Mobility Wheelchairs with 2" Inward Offset or 2" Outward Offset back posts. Not available on Ki Mobility Wheelchairs with Tubular Flip-Up Armrests. May have mounting conflicts with low back cane heights and Angle Adjustable Locking Extendable Flip-Up Armrests with Rigidizer Bar.*

<b>Back Width</b>	10" (25.5 cm)	12" (30.5 cm)	14" (35.5 cm)	16" (40.5 cm)
<b>Fits Back Frame Widths:</b>	9"-11" (23 cm - 28 cm)	11"-13" (28 cm - 33 cm)	13"-15" (33 cm - 38 cm)	15"-17" (38 cm - 43 cm)
<b>Actual Back Width (F):</b>	8" (20cm)	10" (25.5 cm)	12" (30.5 cm)	14" (35.5 cm)
<b>Component Lateral Width Range (J)*:</b> <i>(*-1" with included spacers)</i>	8" - 11" (20 cm - 28 cm)	10" - 13" (25.5 cm - 33 cm)	12" - 15" (30.5 cm - 38 cm)	14" - 17" (35.5 cm - 43 cm)
<b>Contour Depth (H):</b>	1.25" (3 cm)	1.25" (3 cm)	1.25" (3 cm)	1.25" (3 cm)



### Back

*Weight capacity 165 lbs. (75 kg). Includes Axiom DEX for Kids Hardware.*

		Wheelchair Frame Width			
		10"	12"	14"	16"
Axiom Back Height	Retail	\$887			
	HCPCS	E2291	E2291	E2291	E2291
	10"	PXAL1010			
	12"	PXAL1012	PXAL1212	PXAL1412	
	14"	PXAL1014	PXAL1214	PXAL1414	PXAL1614
	16"		PXAL1216	PXAL1416	PXAL1616
	18"			PXAL1618	

### Axiom for Kids - Adjustable Lateral Trunk Supports (for PXAL Back)

*Not available for Posterior Back for Contoured Adjustable Laterals (PXALCL)*

Description	Item Code	HCPCS	Retail
3 x 4 Lateral Trunk Pads, Flat with Fixed Mounting Hardware (Pair) (E0956)	PLF3x4PP	E0956	\$311
4 x 5 Lateral Trunk Pads, Flat with Fixed Mounting Hardware (Pair) (E0956)	PLF4x5PP	E0956	\$311
3 x 4 Lateral Trunk Pads, Flat with Swing Away Mounting Hardware (Pair) (E0956,E1034)	PLTAS3x4PP	E0956, E1034	\$806
4 x 5 Lateral Trunk Pads, Flat with Swing Away Mounting Hardware (Pair) (E0956,E1034)	PLTAS4x5PP	E0956, E1034	\$806
3 x 4 Lateral Trunk Pads, Curved with Swing Away Mounting Hardware (Pair) (E0956,E1034)	PLTASC3x4PP	E0956, E1034	\$806
4 x 5 Lateral Trunk Pads, Curved with Swing Away Mounting Hardware (Pair) (E0956,E1034)	PLTASC4x5PP	E0956, E1034	\$806

### Axiom for Kids - Adjustable Lateral Pelvic Supports (for PXAL Back)

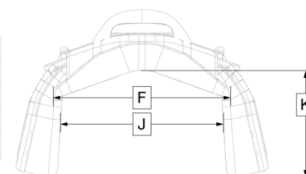
*Not available for Posterior Back for Contoured Adjustable Laterals (PXALCL)*

Description	Item Code	HCPCS	Retail
3 x 4 Lateral Pelvic Pads with Fixed Mounting Hardware (Pair) (E0956)	PLPF3x4PP	E0956	\$311
4 x 5 Lateral Pelvic Pads with Fixed Mounting Hardware (Pair) (E0956)	PLPF4x5PP	E0956	\$311
3 x 4 Lateral Pelvic Pads with Swing Away Mounting Hardware (Pair) (E0956,E1034)	PLASP3x4PP	E0956, E1034	\$806
4 x 5 Lateral Pelvic Pads with Swing Away Mounting Hardware (Pair) (E0956,E1034)	PLASP4x5PP	E0956, E1034	\$806

## Axiom for Kids ALCL - Posterior Back for Contoured Adjustable Laterals

*Not available on Ki Mobility Wheelchairs with 2" Inward Offset or 2" Outward Offset back posts. Not available on Ki Mobility Wheelchairs with Tubular Flip-Up Armrests. May have mounting conflicts with low back cane heights and Angle Adjustable Locking Extendable Flip-Up Armrests with Rigidizer Bar.*

<b>Back Width</b>	10" (25.5 cm)	12" (30.5 cm)	14" (35.5 cm)	16" (40.5 cm)
<b>Fits Back Frame Widths:</b>	9"-11" (23 cm - 28 cm)	11"-13" (28 cm - 33 cm)	13"-15" (33 cm - 38 cm)	15"-17" (38 cm - 43 cm)
<b>Actual Back Width (F):</b>	8" - 11" (20 cm - 28 cm)	10" - 13" (25.5 cm - 33 cm)	12" - 15" (30.5 cm - 38 cm)	14" - 17" (35.5 cm - 43 cm)
<b>Contoured Lateral Width Range (J):</b>	8" - 11" (20 cm - 28 cm)	10" - 13" (25.5 cm - 33 cm)	12" - 15" (30.5 cm - 38 cm)	14" - 17" (35.5 cm - 43 cm)
<b>Contour Depth (K):</b>	5" - 5.5" (12.5 cm - 14 cm)	5" - 5.5" (12.5 cm - 14 cm)	5" - 5.5" (12.5 cm - 14 cm)	5" - 5.5" (12.5 cm - 14 cm)



### Back

*Requires Contoured Adjustable Lateral Trunk Support selection below. Weight capacity 165 lbs. (75 kg). Includes Axiom DEX for Kids Hardware.*

		Wheelchair Frame Width			
		10"	12"	14"	16"
Retail		\$989			
HCPCS		E2293	E2293	E2293	E2293
Axiom Back Height	10"	PXAL1010CL			
	12"	PXAL1012CL	PXAL1212CL	PXAL1412CL	
	14"	PXAL1014CL	PXAL1214CL	PXAL1414CL	PXAL1614CL
	16"		PXAL1216CL	PXAL1416CL	PXAL1616CL
	18"				PXAL1618CL

### Axiom for Kids - Contoured Adjustable Lateral Trunk Supports (for PXALCL Back)

Description	Item Code	HCPCS	Retail
3" Contoured Lateral Wings with Fixed Mounting Hardware (Pair) (E0956)	PCL3	E0956	\$332
4" Contoured Lateral Wings with Fixed Mounting Hardware (Pair) (E0956)	PCL4	E0956	\$332

*4" Contoured Lateral Wings are not available on 10" or 12" Back Heights*

## Accessories

### Axiom for Kids Back Accessories & Modifications

Lumbar Pad (K0108)	\$54
Privacy Flap (K0108)	\$54
<i>Privacy Flap not available for 10" Wide backs</i>	
Axiom DEX for Kids Hardware Extension (K0108)	\$97
<i>Hardware Extension adds an additional 2" of anterior depth adjustment</i>	
Axiom for Kids Adjustable Shoulder Guides (K0108)	\$99

## Headrest Pads

Selection of a Headrest Pad requires a selection from Headrest Mounting Hardware section below



Contour Positioning



Tri-Pad Adjustable



Comfort Soft



TriSoft



Comfort Soft Adjustable

Headrest Pads			
Description	Item Code	HCPCS	Retail
Contour Positioning Headrest Pad, Small, 8W x 6.25H (E0955)	116919	E0955	\$190
Contour Positioning Headrest Pad, Medium, 9W x 6.5H (E0955)	116921	E0955	\$190
Contour Positioning Headrest Pad, Large, 10W x 7.5H (E0955)	116923	E0955	\$190
Tri-Pad Adjustable Headrest, Small (E0955)	116925	E0955	\$460
Tri-Pad Adjustable Headrest, Medium (E0955)	116927	E0955	\$460
Tri-Pad Adjustable Headrest, Large (E0955)	116929	E0955	\$460
Comfort Soft Headrest, 8" (E0955)	116931	E0955	\$204
Comfort Soft Headrest, 10" (E0955)	116933	E0955	\$204
Comfort Soft Headrest, 14" (E0955)	116935	E0955	\$204
Comfort Soft Headrest, 19" (E0955)	116937	E0955	\$235
TriSoft Headrest, 10" (E0955)	116939	E0955	\$204
TriSoft Headrest, 14" (E0955)	116941	E0955	\$204
Comfort Soft Adjustable Headrest, 10" (E0955)	116943	E0955	\$383
Comfort Soft Adjustable Headrest, 14" (E0955)	116945	E0955	\$383
Comfort Soft Adjustable Headrest, 19" (E0955)	116947	E0955	\$477

See Axiom Hardware Sizing Guide for full item sizing

## Headrest Hardware

Selection of Headrest Hardware requires a selection from Headrest Pad section above



Std. Straight Removable Adjustable



Multi-Axis Removable Adjustable



Omnilink Multi-Axis Adjustable



Posalinc Removable Adjustable



Posalinc Flip-Back Adjustable

Headrest Hardware			
Description	Item Code	HCPCS	Retail
Standard Straight Removable Adjustable Hardware (E1033)	120038	E1033	\$198
Multi-Axis Removable Adjustable Hardware (E1033)	120039	E1033	\$295
Omnilink Multi-Axis Adjustable Hardware (E1033)	123603	E1033	\$417
POSALinc Removable Adjustable Hardware (E1033)	120040	E1033	\$359
POSALinc Removable Adjustable Hardware, Tall (E1033)	123528	E1033	\$396
POSALinc Flip-Back Adjustable Hardware (E1033)	123530	E1033	\$430
POSALinc Flip-Back Adjustable Hardware, Tall (E1033)	123531	E1033	\$474

Universal Headrest Mounting Plate  
 Not required with Axiom Headrests

\$54

**Anterior Trunk Supports**



2-Piece  
Hook & Loop



1-Piece  
with Buckle



Dynaform Standard,  
Dynamic



Dynaform Slim Cut,  
Dynamic



Airlogic Standard,  
Structure



Airlogic Slim Cut,  
Dynamic

**Anterior Trunk Supports**

Anterior Trunk Supports			
Description	Item Code	HCPCS	Retail
Dynaform Chest Support: 2-Piece with Hook&Loop, 3" High Pad, Small	14941	E0960	\$146
Dynaform Chest Support: 2-Piece with Hook&Loop, 4" High Pad, Medium	14942	E0960	\$146
Dynaform Chest Support: 2-Piece with Hook&Loop, 5" High Pad, Large	14943	E0960	\$146
Dynaform Chest Support: 1-Piece with Buckle, 3" Height x 18" Width, Small	14924	E0960	\$146
Dynaform Chest Support: 1-Piece with Buckle, 4" Height x 20" Width, Medium	14927	E0960	\$146
Dynaform Chest Support: 1-Piece with Buckle, 4" Height x 22" Width, Large	14928	E0960	\$146
Dynaform Anterior Trunk Support: Standard, Dynamic, X-Small	14851	E0960	\$179
Dynaform Anterior Trunk Support: Standard, Dynamic, Small	14852	E0960	\$179
Dynaform Anterior Trunk Support: Standard, Dynamic, Medium	14853	E0960	\$179
Dynaform Anterior Trunk Support: Standard, Dynamic, Large	14854	E0960	\$179
Dynaform Anterior Trunk Support: Slim Cut, Dynamic, X-Small	14856	E0960	\$179
Dynaform Anterior Trunk Support: Slim Cut, Dynamic, Small	14857	E0960	\$179
Dynaform Anterior Trunk Support: Slim Cut, Dynamic, Medium	14858	E0960	\$179
Dynaform Anterior Trunk Support: Slim Cut, Dynamic, Large	14859	E0960	\$179
AirLogic Anterior Trunk Support: Standard, Structure, Small	14282	E0960	\$203
AirLogic Anterior Trunk Support: Standard, Structure, Medium	14283	E0960	\$203
AirLogic Anterior Trunk Support: Standard, Structure, Large	14284	E0960	\$203
AirLogic Anterior Trunk Support: Slim Cut, Dynamic, Small	14257	E0960	\$203
AirLogic Anterior Trunk Support: Slim Cut, Dynamic, Medium	14258	E0960	\$203

**Gloss Finish Back Shell**

If no selection is made, standard Shadow Black will be used. Touch-up paint is available for purchase through the parts manual.

Black	N/C
Ruby Red	N/C
Radiant Orange	N/C
Yellow	N/C
Electric Green	N/C
Rich Teal	N/C
Glacier Blue	N/C
Blue Steel	N/C
Deep Sapphire Blue	N/C
Purple Plum	N/C
Opalescent Violet	N/C
Dark Pink	N/C
Light Pink	N/C
Champagne	N/C

**Matte Finish Back Shell**

If no selection is made, standard Shadow Black will be used. Touch-up paint is available for purchase through the parts manual.

Iridescent Navy	N/C
Bright Red	N/C
Tactical Green	N/C
Dry Earth Tan	N/C
Platinum	N/C
White	N/C