

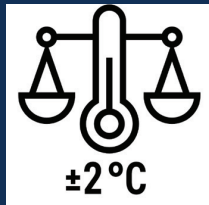
SRPvh 1402

50 cu. Ft. Perfection High-performance Laboratory Refrigerator with solid door



Integrated WiFi/LAN interface

The integrated WiFi/LAN interface enables you to easily connect your appliances with existing local systems.



$\pm 2^{\circ}\text{C}$ temperature stability

Temperature fluctuations must be minimal to ensure that the quality of sensitive substances is preserved. Liebherr appliances have an impressive maximum deviation of just $\pm 2^{\circ}\text{C}$ from the set temperature. This not only maintains the storage climate, but also the value of your stored goods.



Vertical LED lighting

Vertical LED lighting provides optimal illumination of the interior over the entire height of the appliance. This not only saves you time looking for things, but, above all, cuts energy costs.



SmartLock

To prevent products from accidentally entering circulation after an interruption in the cold chain, SmartLock automatically locks the door if there is an alarm. Only authorized persons can unlock it again.

LIEBHERR

SRPvh 1402

50 cu. Ft. Perfection High-performance Laboratory Refrigerator with solid door

Laboratory Refrigerator



home.liebherr.com

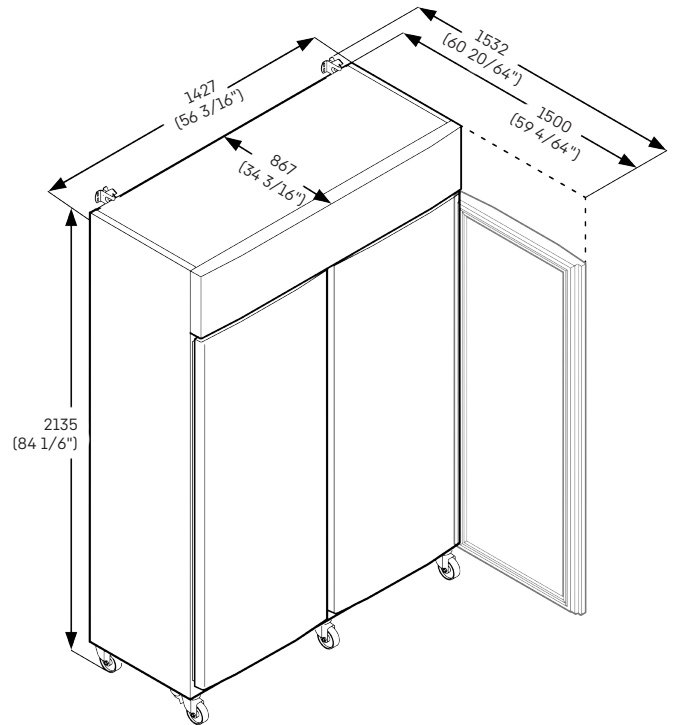


SRPvh 1402	
Total gross / net capacity	48.2 / 46.8 cu.ft. (1,364 / 1,325 l)
Exterior dimensions in mm (w/d/h) in inches (w/d/h)	1427 / 867 / 2135 56 3/16" / 34 3/16" / 84 1/16"
Interior dimensions in mm (w/d/h) in inches (w/d/h)	1210 / 638 / 1493 47 11/16" / 25 1/8" / 58 13/16"
Energy Consumption*	1.34 kWh/day
EnergyStar rated	Yes
Ambient temperature	+10°C to +35°C (50°F to 95°F)
Refrigerant	R 600a
Sound rating**	60 dB(A)
Connection rating	4.0 A
Voltage / Frequency	115 V / 60Hz
Cooling system/Defrost	Forced-air / automatic
Temperature range	-2°C to +16°C
External cabinet finish	Steel/white
Door/lid material	Steel/ white
Internal liner material	Chrome-nickle steel
Type of control	2.4" touch & swipe color display
Temperature display	External digital
Connectivity Solution/ Interface	Integrated, removable/WIFI/LAN
Data logger	Integrated, USB interface
Alarm	Visual, audible
Alarm forwarding	Yes
Interior Light	LED
Adjustable shelves	8
Shelf material	Wire shelves plastic-coated/ glass
Shelf load weight in	60 kg (132 lbs)
Usable Shelf Area	480/638 mm (18 7/8" / 25")
Handle	antimicrobial handle with opening mechanism
Access port	1 x Ø 12 mm
Lock	Vertical recessed handle
Self-closing door	Yes
Door Hinges	Left-hand / right-hand
Net weight	195 kg (429 lbs)

* Measured unloaded at 26.6°C (80°F) ambient temperature with set point of 3.3°C (38°F).

** Noise level – sound power re 1pW – according to IEC 60704-2-14.

Unit Dimensions



Accessories

U-shaped trayslide, (left / right)	7745088 / 7745090
Gray wire shelf	7112608
Castors Ø 100 mm (4 in)	9597965
Adjustable feet, 115 – 175 mm (4.5 - 6.9 in)	9080132
Foot pedal opener	9597649
Side-by-Side set in white	9597677