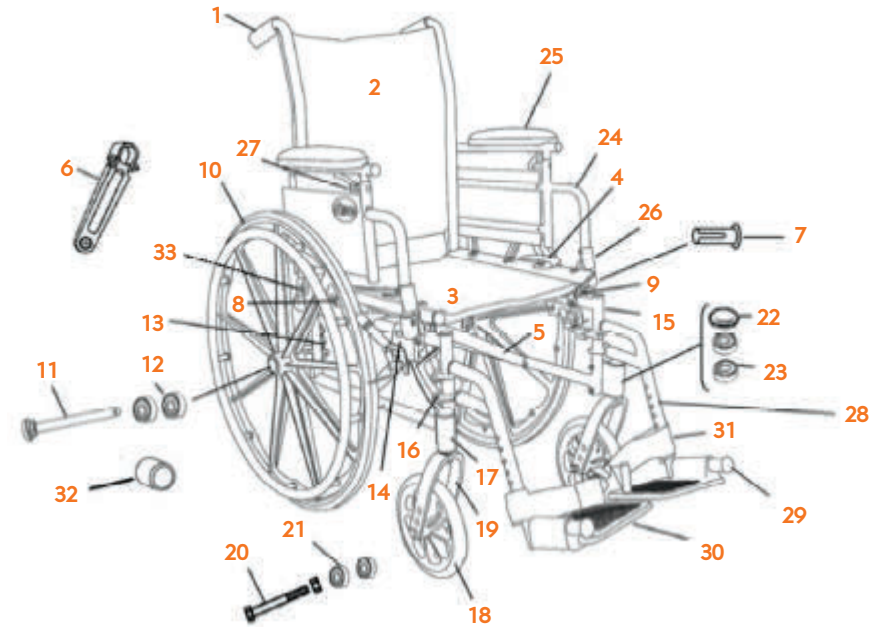


- | | |
|--|---|
| <ol style="list-style-type: none"> 1. Back Cane Hand Grip 2. Back Upholstery (16", 18", 20") 3. Seat Upholstery (16", 18", 20") 4. Upholstery Strap 5. Cross Frame (16", 18", 20") 6. Cross Frame Assist (16", 18", 20") 7. Seat Ext Tube & Screw Seat Ext Screws (Pair) 8. Rear Seat Saddle 9. Front Seat Saddle 10. Rear Wheel 11. Quick Release Axle 12. Rear Axle Bearing 13. Rear Wheel Receiver 14. Brake (Left, Right) 15. Side Frame (Left, Right) 16. Hanger Pins 17. Fork Housing Complete (Bearings & Hdwr) (Left, Right) 18. Caster (8") | <ol style="list-style-type: none"> 19. Fork 20. Caster Axle 21. Caster Bearing 22. Fork Steam Bearing 23. Dust Cap 24. Adj Ht Armrest Desk (Left, Right) Full (Left, Right) 24a. Upper Adj Arm Section Full (Left, Right) Desk (Left, Right) (includes arm pad) 25. Arm Pad Desk (Full) 26. Arm Rest Lever 27. Height Adj Lever (Left, Right) 28. Footrest (Pair) Elevating Legrest (Pair) 29. Footrest Bumper 30. Foot Plate (Left, Right) 31. Heel Loop & Post 32. Tipping Sleeve Anti-Tippers (Pair) 33. Rear Armrest Receiver |
|--|---|


DESCRIPTION
DIAGRAM #
RHYTHM ITEM #

DESCRIPTION	DIAGRAM #	RHYTHM ITEM #
Seat and Back Upholstery Set	2, 3	(16") P170-003-16-2 (18") P170-003-18-2 (20") P170-003-20-2
Rear Wheel	10	P170-1-006-2
Brake Assembly	14	(Left) PWCBRK4018-L (Right) PWCBRK4018-R
Front Caster	18	P170-1-010
Front Fork	19	PFKK1
Arm Pad Desk Length	25	PWCAP-D