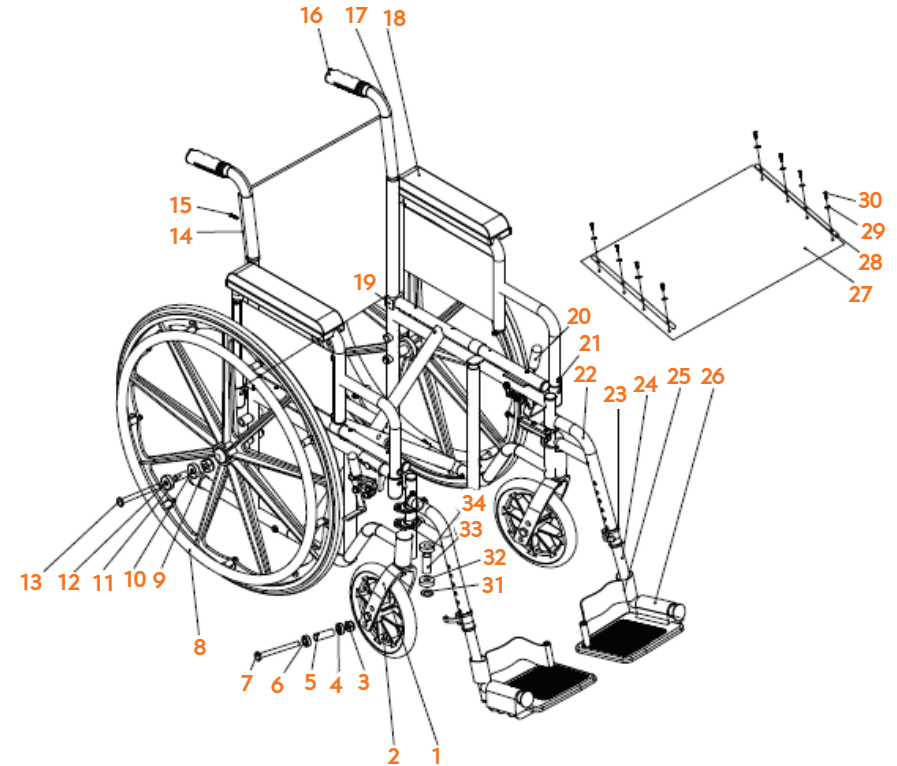


- | | |
|--|---|
| 1. Front Wheel Fork | 17. Frame |
| 2. Front Wheel | 18. Armrest Buckle |
| 3. Front Wheel Lock Nut
7/16-20UNF (White Zinc) | 19. Long Slider |
| 4. Front Wheel Bearing | 20. Brake Assembly |
| 5. Inner Bushing of Front Wheel | 21. Armrest Buckle |
| 6. Front Wheel Bearing | 22. Log Reliance Pipe |
| 7. Front Wheel Core Shaft
7/16-20UNF (White Zinc) | 23. Support Adjustment Sleeve |
| 8. Rear Wheel Assembly | 24. Support Adjustment Rod |
| 9. Rear Wheel Lock Nut
7/16-20UNF (White Zinc) | 25. Heel Strap |
| 10. Rear Wheel Bearing | 26. Pedal |
| 11. Inner Bushing of Rear Wheel | 27. Cushion |
| 12. Rear Wheel Bearing | 28. Cushion Core Iron |
| 13. Rear Wheel Core Shaft
7/16-20UNF*117 (White Zinc) | 29. Compression Ring |
| 14. Back Cushion | 30. Cross Half Countersunk Head
Self-Tapping Screw ST4. 8*19
(Black Zinc) |
| 15. Cross Half Countersunk Head Self-
Tapping Screw ST4. 8*19
(Black Zinc) | 31. Gasket |
| 16. Hand Grip | 32. Vertical Shaft Bearing |
| | 33. Inner Bushing of Vertical Shaft |
| | 34. Vertical Shaft Bearing |
| | 35. Crossbar |
| | 36. Guide Rod |



DESCRIPTION	DIAGRAM #	RHYTHM ITEM #
Arm pad	18	PWCAP-D
Seat and Back upholstery set	14, 27	(16") P170-1-002-16 (18") P170-1-002-18 (20") P170-1-002-20
Rear Wheel/Handrim	8	P170-1-006-1
Front Caster	2	P170-1-010
Front Fork	1	PFKK1
Brake Assembly	20	(Left) PWCBRK4018-L (Right) PWCBRK4018-R