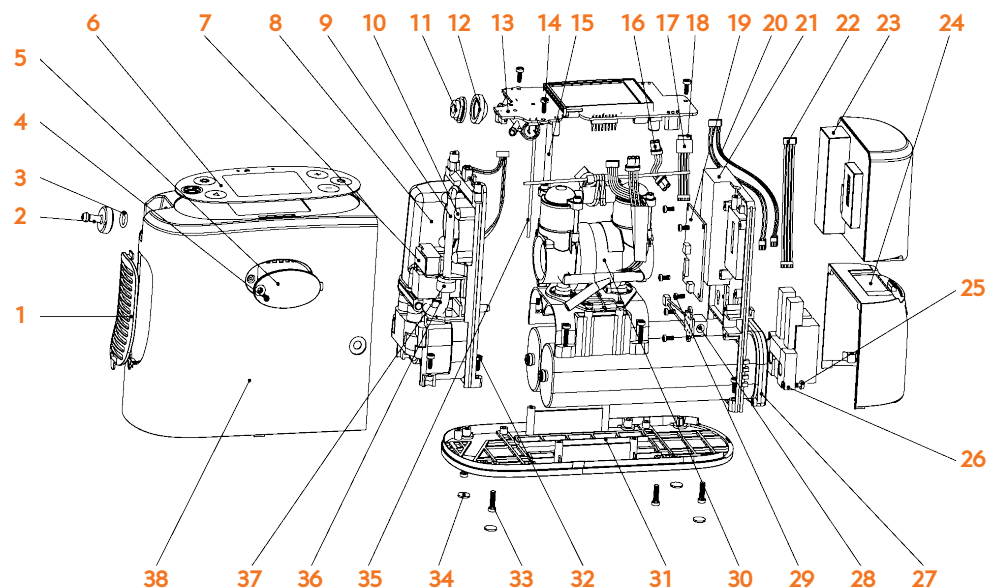


## P2 PORTABLE OXYGEN CONCENTRATOR PARTS

DESCRIPTION	DIAGRAM #	RHYTHM ITEM #
Pre-Filter Cover	1	P2PFCR-2
Nozzle	2	P2NZN-2
Sealing Ring	3	P2SLR-2
st2.2*5 304 Stainless Steel	4	P2SC225-2
Cable Cover on Main Case	5	P2CCMC-2
Display Panel (Keyboard)	6	P2DP-1
Cotton Intake Filter	7	P2FC-1
Pack for Cooler and Fixed Mount Accessories	8	P2PCFM-2
L-type Silicone Hose	9	P2LSH-2
Plastic Nail	10	P2PNL-1
Air Outlet Seat	11	P2AOS-2
Leather Cup	12	P2LRC-2
Main PCB with Screen	13	P2PCB-3
st2.9*6 304 Stainless Steel	14	P2SC296-2
PU Tube	15	P2PUTB425-2
Motherboard Power Cord	16	P2MPC-2
Heat Shrinkable Tube	17	P2HSTB945-2
Motherboard Signal Line	18	P2MSL-2
Side Power PCB	19	P2SPB-1
Front Solenoid Valve Control Line	20	P2FSV-2
Structural Plate	21	P2STP-2
Molecular Sieve Signal Line	22	P2MSSL-2
Battery	23	P2BY001-2
Sieve Bed Compartment Cover	24	P2SBCC-2
M3*5 304 Stainless Steel	25	P2SCM35-2



DESCRIPTION	DIAGRAM #	RHYTHM ITEM #
Solenoid and Base Pack	26	P2SDBP-3
SD Sieve Bed	27	P2SBSD
Adapter Terminal Block	28	P2ATB-2
st2.6*6 304 Stainless Steel	29	P2SC266-2
Compressor	30	P2C-2
Bottom Base	31	P2BMB-2
st2.9*8 304 Stainless Steel	32	P2SC298-2
st2.9*12 304 Stainless Steel	33	P2SC2912-2
Anit Slip Mat	34	P2ASM-1
Silicone Tube: Diameter 2mm, Inner Diameter 0.95mm	35	P2STB2095
Intake Elbow	36	P2IKE-2
Filter Assembly	37	P2FTA-2
Main Case	38	P2MNC-2

